

BALL VALVE

(Item Number: 1210026)

PRODUCT DESCRIPTION

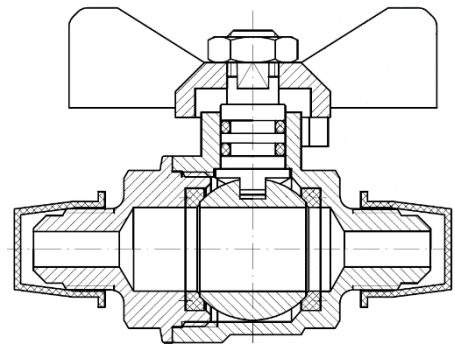
Ball valve used for gas contents. Used to control the gas flow. It can form a tight seal and shut off the gas flow (often when maintenance is needed).

Typical use is in RV applications where 5/16" copper tubing is used.



SPECIFICATIONS

- Model FL25 (as written on the yellow handle)
- Contents: LPG,
- AGA 7423 approved to AS4617
- 2600 kPa working pressure.
- Working temperature range -20°C to 60°C
- 5/16" SAE M connections
- Valve length = 63mm
- Height from centre of valve to top of handle = 39mm
- Length of handle = 57mm



MATERIALS

- Lead brass valve body
- Nickel plated valve body
- Rubber O-ring
- PTFE O-rings
- Aluminum butterfly lever

The month and date of manufacture are stamped onto the handle of the Ball Valve.

INSTALLATION

Install as per requirements of AS4617 and AS5601 installation code.

END TECHNICAL DATA SHEET